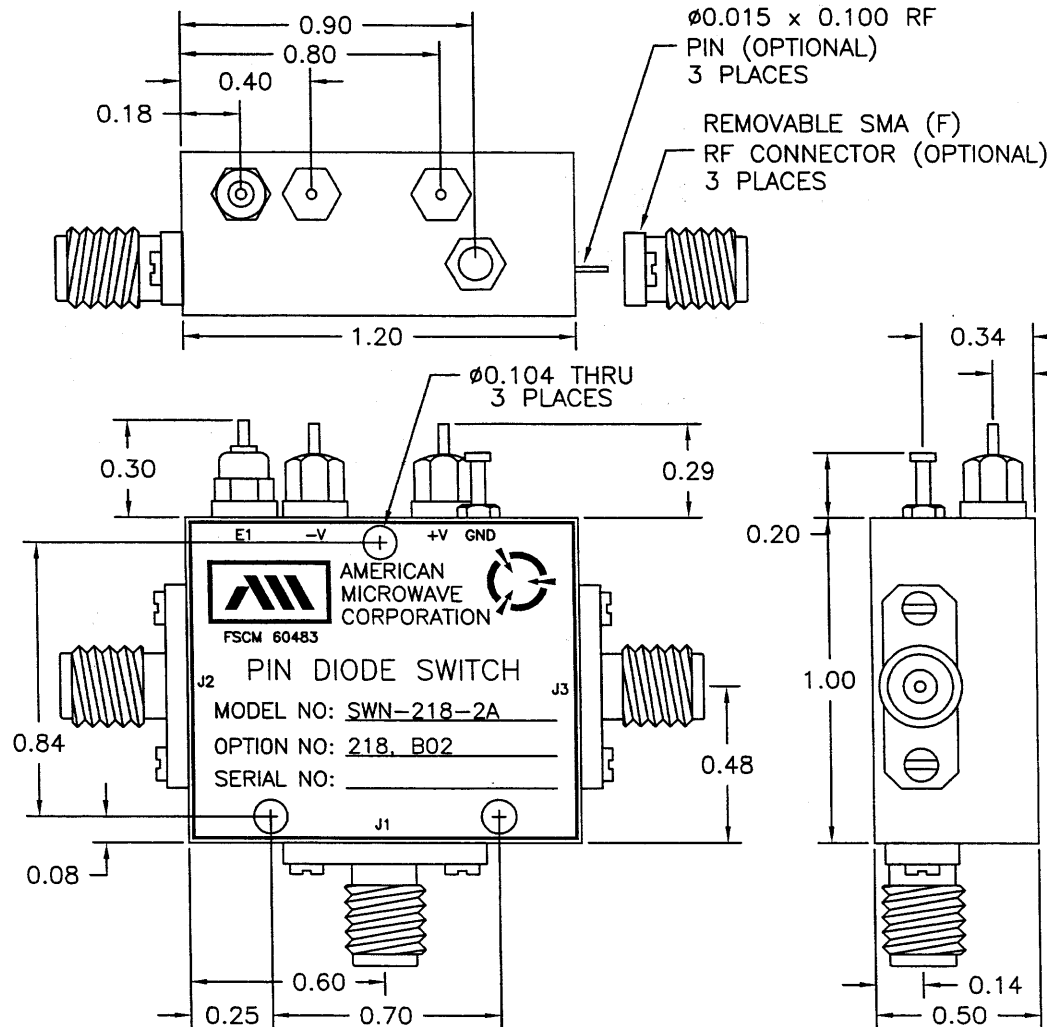


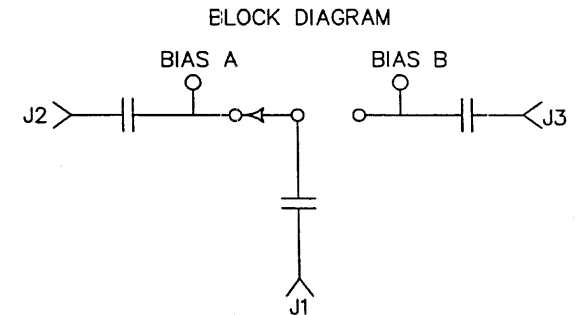
DESCRIPTION

AMC MODEL SWN-218-2A OPTION: 218, B02 IS A SINGLE POLE TWO THROW ABSORPTIVE/NON-REFLECTIVE SWITCH MODULE DESIGNED TO OPERATE OVER THE FULL 2 TO 18 GHz FREQUENCY RANGE WITH AN INSERTION LOSS OF 3.5 dB MAXIMUM, ISOLATION OF 70 dB MINIMUM AND VSWR OF 2.0:1.

REVISIONS				
ZONE	REV.	DESCRIPTION	DATE	APPROVED
-	-	ORIGINAL RELEASE JOB# 411263	12/6/04	



MECHANICAL OUTLINE



AMERICAN MICROWAVE CORPORATION

7311-G GROVE ROAD
 FREDERICK, MARYLAND 21704 USA
 TEL: 301-662-4700 FAX: 301-662-4938
 WEBSITE: www.americannmicrowavecorp.com
 E-MAIL: sales@americannmicrowavecorp.com
 ISO 9001:2000 CERTIFIED



ALL DIMENSIONS ARE IN INCHES
 TOLERANCES:
 X.XX ±0.020
 X.XXX ±0.010

APPROVALS		DATE	TITLE		
DRAWN <i>JDF</i>		12/6/04	MECHANICAL OUTLINE SWN-218-2A OPTION: 218, B02 2 - 18 GHz, SINGLE POLE TWO THROW SWITCH		
CHECKED <i>[Signature]</i>	12/16/04	SIZE A	FSCM NO. 60483	DWG NO. 100-7217	REV. -
ISSUED		SCALE N:S	SHEET 2 OF 3		

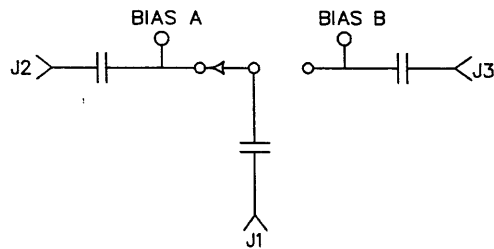
DESCRIPTION

AMC MODEL SWN-218-2A OPTION: 218, B02 IS A SINGLE POLE TWO THROW ABSORPTIVE/NON-REFLECTIVE SWITCH MODULE DESIGNED TO OPERATE OVER THE FULL 2 TO 18 GHz FREQUENCY RANGE WITH AN INSERTION LOSS OF 3.5 dB MAXIMUM, ISOLATION OF 70 dB MINIMUM AND VSWR OF 2.0:1.

SPECIFICATIONS

- FREQUENCY RANGE: 2 TO 18 GHz
- INSERTION LOSS: 3.5 dB MAXIMUM
- ISOLATION: 70 dB MINIMUM
- VSWR: 2.0:1
- RISE TIME: 10 nSec TYPICAL, 15 nSec MAXIMUM
- FALL TIME: 10 nSec TYPICAL, 15 nSec MAXIMUM
- DELAY ON: 75 nSec TYPICAL, 100 nSec MAXIMUM
- DELAY OFF: 75 nSec TYPICAL, 100 nSec MAXIMUM
- POWER INPUT: (CW)+20 dBm (STANDARD), +10 dBm (HIGH SPEED)
- SURVIVAL POWER: 1 WATT CW, 10 WATTS PEAK 1 uSec
- CONTROL: TTL LOGIC "0" = J1-J2 ON
TTL LOGIC "1" = J1-J3 ON
- POWER SUPPLY: +5V @ 100 mA MAXIMUM
-15V @ 100 mA MAXIMUM
- CONNECTORS:
RF: SMA FEMALE
CONTROL: SOLDER PIN
- SIZE: 1.20" (L) x 1.00" (W) x 0.50" (H)
- WEIGHT: 1.5 OUNCE TYPICAL

BLOCK DIAGRAM

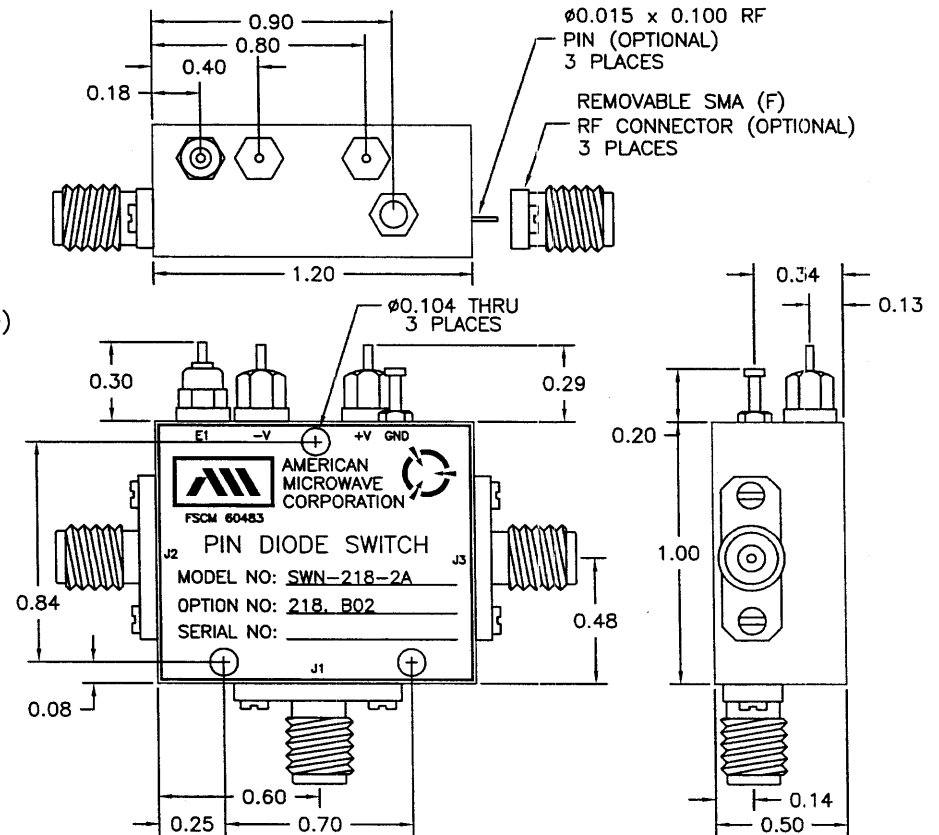


ENVIRONMENTAL RATINGS

- TEMPERATURE: -55°C TO +85°C (OPERATING)
-65°C TO +125°C (STORAGE)
- HUMIDITY: MIL-STD-202F, METHOD 103B COND. B
- SHOCK: MIL-STD-202F, METHOD 213B COND. B
- VIBRATION: MIL-STD-202F, METHOD 204D COND. B
- ALTITUDE: MIL-STD-202F, METHOD 105C COND. B
- TEMPERATURE CYCLE: MIL-STD-202F, METHOD 107D COND. A

NOTE: SPECIFICATIONS WILL VARY OVER OPERATING TEMPERATURE
NOTE: THE ABOVE SPECIFICATIONS ARE SUBJECT TO CHANGE OR REVISION

ZONE		REV.	DESCRIPTION	DATE	APPROVED
		-	ORIGINAL RELEASE JOB# 411263	12/6/04	BSC



AMERICAN MICROWAVE CORPORATION

7311-G GROVE ROAD
FREDERICK, MARYLAND 21704 USA
TEL: 301-662-4700 FAX: 301-662-4938
WEBSITE: www.americanmicrowavecorp.com
E-MAIL: sales@americanmicrowavecorp.com
ISO 9001:2000 CERTIFIED



APPROVALS		DATE	TITLE		
DRAWN <i>JDJ</i>		12/6/04	PRODUCT FEATURE SWN-218-2A OPTION: 218, B02 2 - 18 GHz, SINGLE POLE TWO THROW SWITCH		
CHECKED <i>[Signature]</i>	12/6/04	SIZE A	FSCM NO. 60483	DWG NO. 100-7217	REV. -
ISSUED		SCALE N:S	SHEET 1 OF 3		

ALL DIMENSIONS ARE IN INCHES
TOLERANCES:
X.XX ±0.020
X.XXX ±0.010